

Explosion-Proof Rotating Light

Model 121X



DESIGNED FOR USE IN EXPLOSION-PROOF ATMOSPHERES

- Available in 24VDC and 120VAC
- Five lens colors
- 3/4 - inch pendant mount standard; other options available
- Optional dome guard
- Type 4X, IP66 enclosure
- UL and cUL Listed, CSA Certified and Marine Rated

Federal Signal's Model 121X rotating light flashes 90 times per minute and produces a 360° visual signal. This explosion-proof light has an incandescent lamp and is available in five lens colors – amber, blue, clear, green and red.

The Model 121X is UL Listed for Class I, Division 1, Groups C & D; Class II, Division 1, Groups E, F & G; Class I, Division 2, Groups A, B; and Class III. The 121X is CSA Certified, Marine Rated and constructed to Type 4X, IP66 standards.

This corrosion-resistant unit's copper-free aluminum housing is finished with a powder epoxy. All exposed hardware is constructed of 316 grade stainless steel.

The 121X uses a synchronous motor to drive a parabolic reflector around an incandescent lamp. This results in a 360° rotating beam which is concentrated in a horizontal plane.

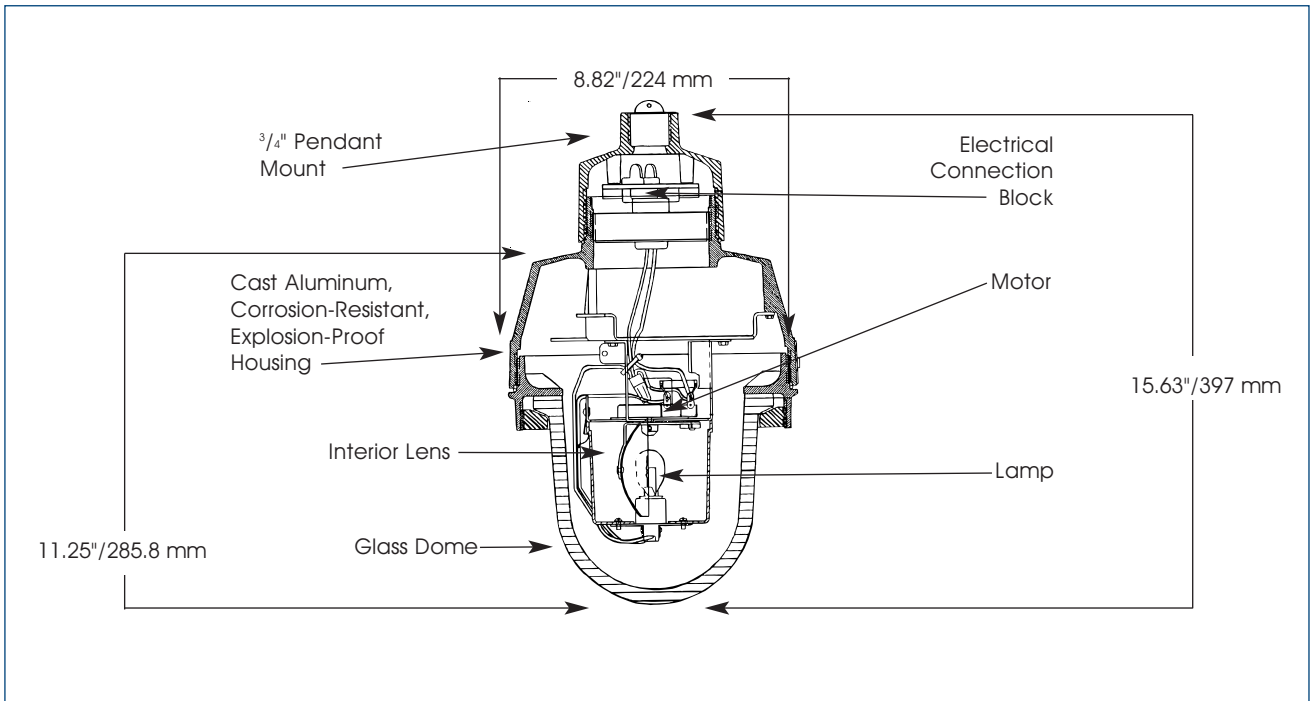
The 121X features a spring-clip mounted lens for quick access when inspecting or relamping. A pendant mount is supplied and a ceiling mount and 90° wall mount are available options. Installation is simple; with the mounting box in place, the fixture is threaded onto the mounting box, making the electrical connection. Electrical continuity is made when five threads are engaged.

Federal Signal's rugged 121X Warning Light is designed for explosion-proof applications and/or corrosive environments. It is ideal for use in indoor and outdoor areas such as oil rigs, mines, refineries, and chemical plants.

Model	Voltage	Operating Current	Flash Rate/Minute	Candela	Mount
121X	24VDC	1.05 amps	90	2,350	3/4" Pendant
121X	120VAC 60Hz	0.33 amps	90	1,800	3/4" Pendant



EXPLOSION-PROOF ROTATING LIGHT (121X)



SPECIFICATIONS

Lamp Life*:	800 Hours	800 Hours
Lamp Style	Incandescent	Incandescent
Ambient Temperature Range:	-31°F to 150°F	-35°C to 66°C
Net Weight:	14.75 lbs.	6.69 kg
Shipping Weight:	18.9 lbs.	8.57 kg
Height:	15.63"	397.0 mm
Diameter:	8.82"	224.0 mm

* Optimal hours under ideal conditions.

HOW TO ORDER

- Specify model, voltage and color
- Specify options:
Ceiling Mount Kit (CMXC)
Wall Mount (WMXC)
Dome Guard (DGXC)
- Please refer to Model Number Index 121X beginning on page 373

REPLACEMENT PARTS

Description	Part Number	Description	Part Number
Exterior Dome Assembly, Clear	K8444C271A-01	24VDC Mechanism, Amber	K8444269A
Interior Lens, Amber	K8444242A	24VDC Mechanism, Blue	K8444269A-01
Interior Lens, Blue	K8444242A-01	24VDC Mechanism, Clear	K8444269A-02
Interior Lens, Clear	K8444242A-02	24VDC Mechanism, Green	K8444269A-03
Interior Lens, Green	K8444242A-03	24VDC Mechanism, Red	K8444269A-04
Interior Lens, Red	K8444242A-04	120VAC Mechanism, Amber	K8444277A
Lamp, 24VDC	K8107A041	120VAC Mechanism, Blue	K8444277A-01
Lamp, 120VAC	K8444A173A	120VAC Mechanism, Clear	K8444277A-02
		120VAC Mechanism, Green	K8444277A-03
		120VAC Mechanism, Red	K8444277A-04